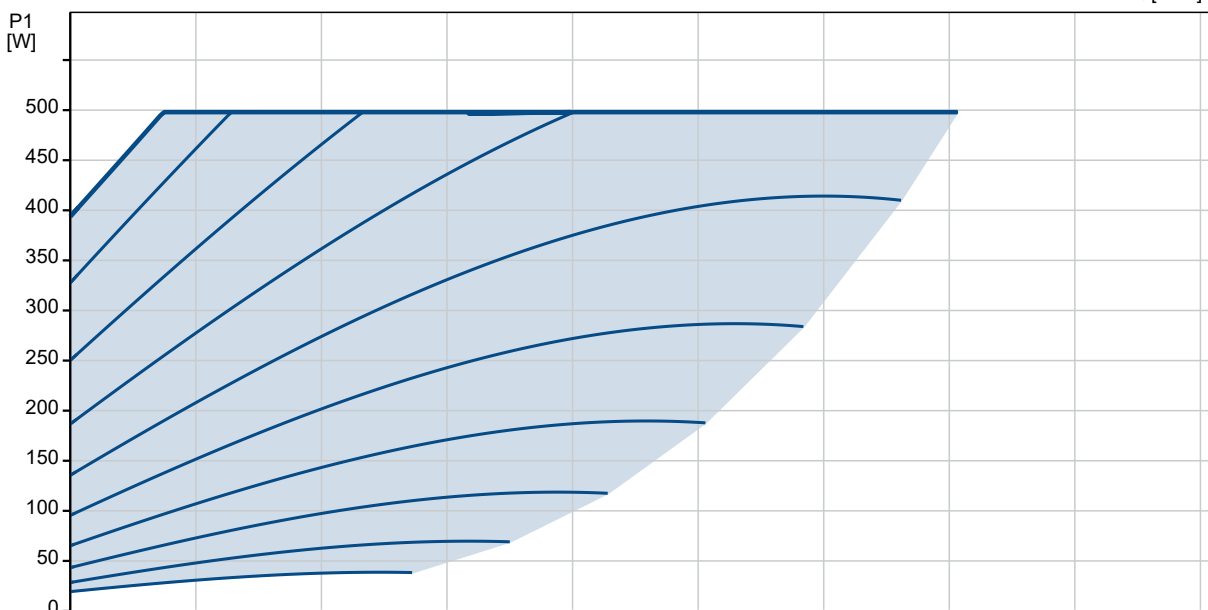
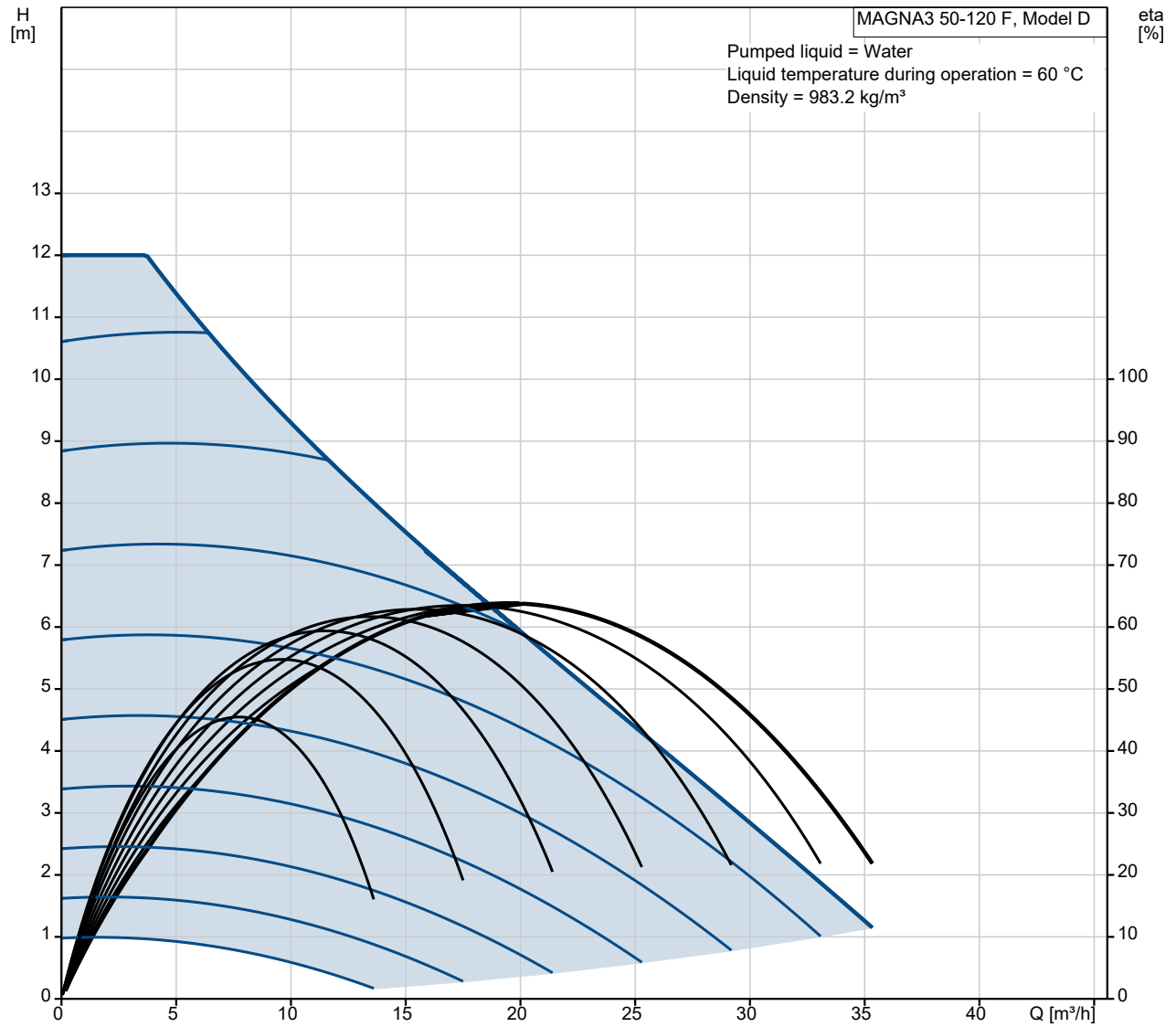
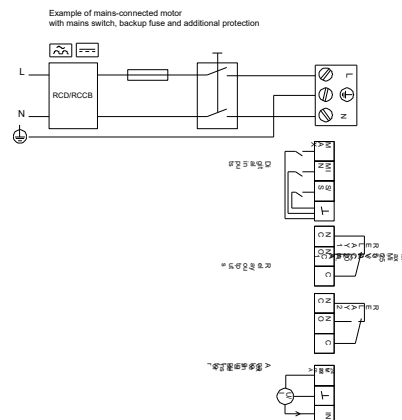
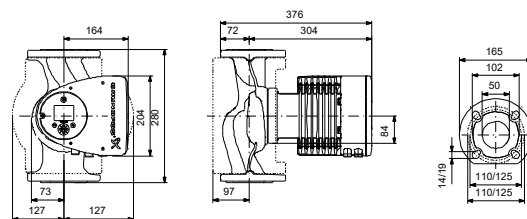
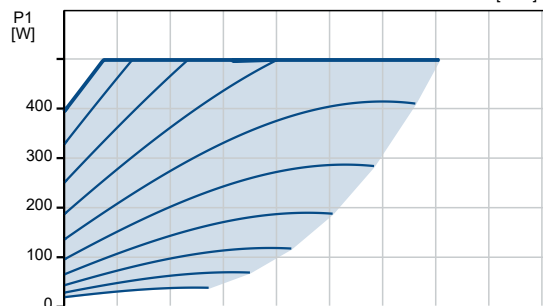
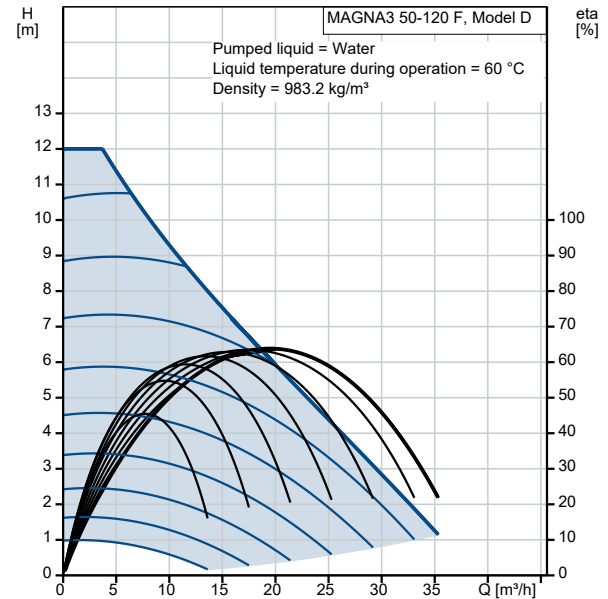


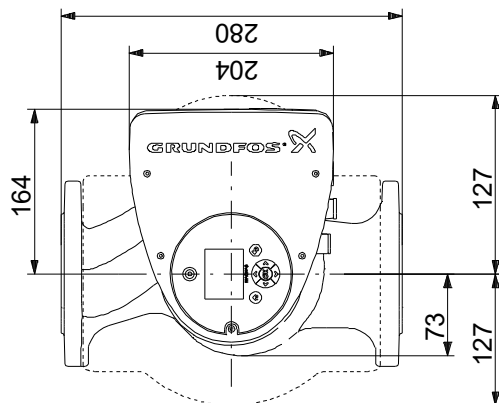
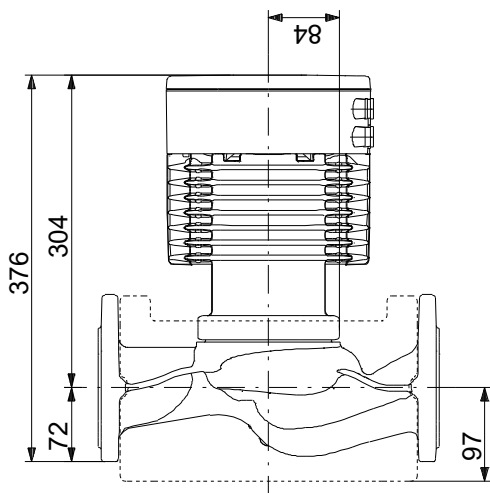
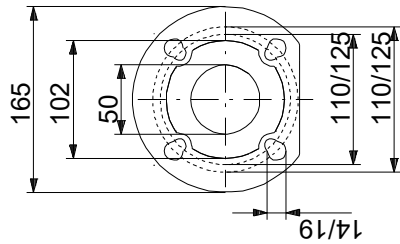
## 97924284 MAGNA3 50-120 F



Description	Value
<b>General information:</b>	
Product name:	MAGNA3 50-120 F
Product No:	97924284
EAN number:	5710626493593
Price:	€ 4136
<b>Technical:</b>	
Rated flow:	18.71 m <sup>3</sup> /h
Rated head:	6.334 m
Head max:	120 dm
TF class:	110
Approvals:	CE, VDE, EAC, MOROCCO, UKCA, TSERCM, UkrSEPRO
Model:	D
<b>Materials:</b>	
Pump housing:	Cast iron
Pump housing:	EN-GJL-250
Pump housing:	ASTM A48-250B
Impeller:	PES 30%GF
<b>Installation:</b>	
Range of ambient temperature:	0 .. 40 °C
Maximum operating pressure:	10 bar
Flange standard:	DIN
Pipe connection:	DN 50
Pressure rating:	PN 6/10
Port-to-port length:	280 mm
<b>Liquid:</b>	
Pumped liquid:	Water
Liquid temperature range:	-10 .. 110 °C
Selected liquid temperature:	60 °C
Density:	983.2 kg/m <sup>3</sup>
<b>Electrical data:</b>	
Power input - P1:	20 .. 498 W
Mains frequency:	50 / 60 Hz
Rated voltage [V]:	1 x 230 V
Maximum current consumption:	0.22 .. 2.3 A
Enclosure class (IEC 34-5):	X4D
Insulation class (IEC 85):	F
<b>Others:</b>	
Energy (EEI):	0.17
Environmental approvals:	CN ROHS, WEEE
Net weight:	18 kg
Gross weight:	19.9 kg
Shipping volume:	0.046 m <sup>3</sup>
Danish VVS No.:	380953512
Swedish RSK No.:	5732496
Finnish LVI No.:	4615155
Norwegian NRF no.:	9042675
Country of origin:	DE
Custom tariff no.:	84137030



## 97924284 MAGNA3 50-120 F



Note! All units are in [mm] unless others are stated.  
Disclaimer: This simplified dimensional drawing does not show all details.